**Applications:**

- Conveyor belts
- Transport devices
- Material handling and processing machinery

Features:

- Bushing as option
- Interchangeable spares
- Combinations with elastic couplings

Vorteile:

- Economic solution
- Assembly of wear parts from both ends
- Little maintenance
- Easy torque adjustments

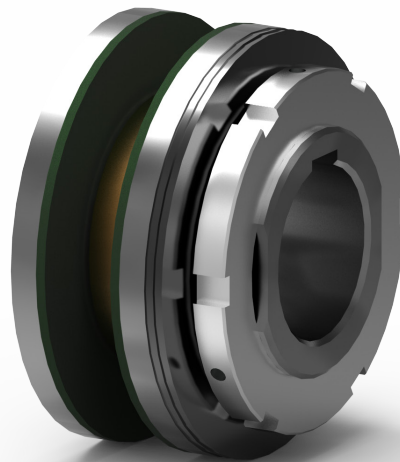
Rexnord BSD Torque Limiters Series 39xx

Customer-focused Solutions.**Reliable Performance.****Trusted Brands.**

You want a trusted name when it comes to providing engineered power transmission products that improve productivity and efficiency. Rexnord provides superior products for your industrial applications world wide. We work closely with you to reduce maintenance costs, eliminate redundant inventories and prevent equipment downtime.

Rexnord BSD® torque limiters 39xx are designed to slip at a preset torque thus limiting the torque at overload.

Robust and reliable Rexnord BSD torque limiters are successfully applied wherever expensive machinery needs to be protected against overload and subsequent downtimes need to be avoided.



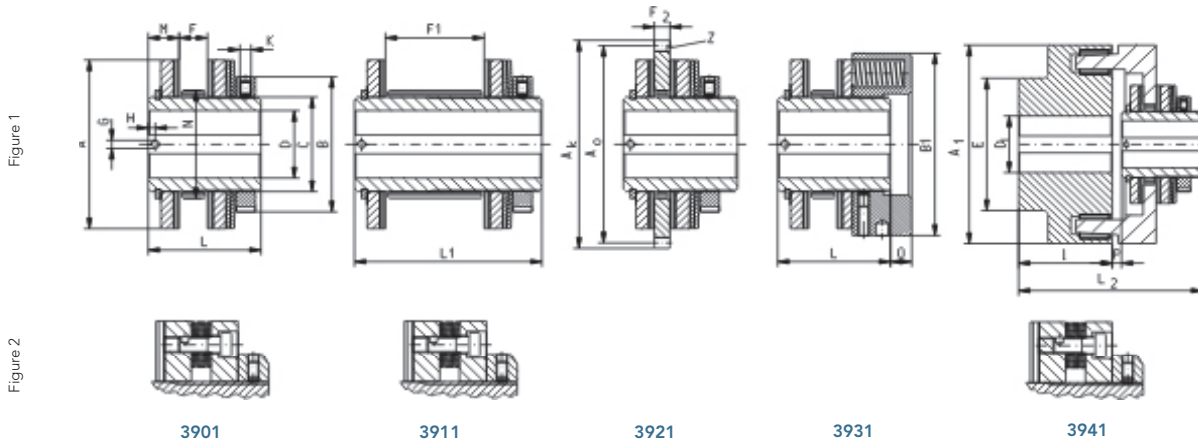


Figure	Size	Nominal Torque Dry Operation						Maximum Speed $n_{max} / \text{min}^{-1}$
		T_{KN} / Nm						
		Single Stacking	Double Stacking	Triple Stacking	Triple Stacking	Single Stacking	Double Stacking	
		3901, 3911, 3921, 3941*	3901, 3911, 3921*	3941	3931			
1	2,5	3,5-18	18-36	36-55	36-55	2-20	3-27	6900
	6,3	9-45	45-90	90-135	90-125	3-50	7-68	5500
	16	21-105	105-210	210-320	210-260	11-110	35-150	4200
	40	53-265	265-530	530-800	530-800	35-245	100-380	3000
	100	125-630	630-1260	1260-1900	1260-1900	70-700	350-1000	2200
2	160	-	320-1600	1600-2400	1600-2400	-	-	1650
	250	-	640-3200	3200-4800	3200-4800	-	-	1650
	400	-	800-4000	4000-6000	4000-6000	-	-	1200
	630	-	1600-8000	8000-12000	8000-12000	-	-	1200

Figure	Size	Moment of Inertia					Weight				
		I / kgm^2					m / kg				
		3901	3911	3921	3931	3941	3901	3911	3921	3931	3941
1	2,5	0,00018	0,00023	0,00026	0,0003	0,0034	0,4	0,6	0,5	0,5	2,8
	6,3	0,00038	0,0005	0,0007	0,001	0,00738	0,75	1,1	1	1	4,5
	16	0,001	0,00115	0,0017	0,0028	0,0134	1,3	1,65	1,7	2	6,5
	40	0,005	0,0063	0,00865	0,011	0,1368	3,2	4,4	4,15	5	23,9
	100	0,025	0,0316	0,04	0,046	0,4408	7,3	10,4	9,7	10	48
2	160	0,14	0,16	-	-	1,3986	25	30,4	-	-	103
	250	0,14	0,16	-	-	1,3986	25	30,4	-	-	103
	400	0,535	0,616	-	-	4,7762	44	58	-	-	206
	630	0,535	0,616	-	-	4,7762	44	58	-	-	206

Figure	Size	Dimensions																													
		Diameters mm													Lengths mm																
		A	A ₁	AK	A ₀	B	B ₁	C	D _{min} *	D _{max} *	D1 _{min} *	D1 _{max} *	E	G	K	N ₈	H	I	L	L1	L2	M	O _{min} - max	P	F _{min}	F _{max}	F1 _{min}	F2 _{max}	F2	Z	Chain
1	2,5	55	94	73,7	69,95	55	60	M35x1,5	9	24	0	42	-	M4	M6	40	3	35	45	78	90	11	4-11	10	4	9	12	40	5,3	23	3/8"x7/32"
	6,3	70	110	94,1	89,24	62	75	M40x1,5	13	28	0	45	-	M4	M6	45	3	42	53	100,5	101	14	58-13	6	5	10	15	55	7,2	22	1/2"x5/16"
	16	90	125	114,2	109,4	68	95	M45x1,5	18	32	0	55	85	M5	M6	50	4,5	55	65	106	124	18	9-18	4	6	16	20	55	7,2	27	1/2"x5/16"
	40	125	210	154,1	145,94	100	135	M70x1,5	18	50	40	90	140	M6	M8	80	5	95	80	133	184,3	22	15-26	9,3	8	20	30	70	11,1	24	3/4"x7/16"
	100	170	260	206,2	195,59	145	180	M100x2	33	70	50	120	170	M8	M8	110	6	115	100	173	227	26	18-31,5	12	12	30	45	100	16,2	24	1"x17mm
2	160	230	325	-	-	180	-	M140x2	43	95	60	150	-	M10	M8	150	9	140	150	215	300	35	-	10	14	35	50	100	-	-	-
	250	230	325	-	-	180	-	M140x2	43	95	60	150	-	M10	M8	150	9	140	150	215	300	35	-	10	14	35	50	100	-	-	-
	400	310	420	-	-	220	-	M170x3	68	120	60	190	-	M10	M8	185	9	180	180	290	372	45	-	12	14	40	55	150	-	-	-
	630	310	420	-	-	220	-	M170x3	68	120	60	190	-	M10	M8	185	9	180	180	290	372	45	-	12	14	40	55	150	-	-	-

*) Type 3921 only up to size 100, triple stacking only up to size 6,3
Apply to maximum bores
To be supplied prebored and without sliding bush unless specified

Data subject to change without notice.
Please consult Rexnord for larger sizes or special design requirements.